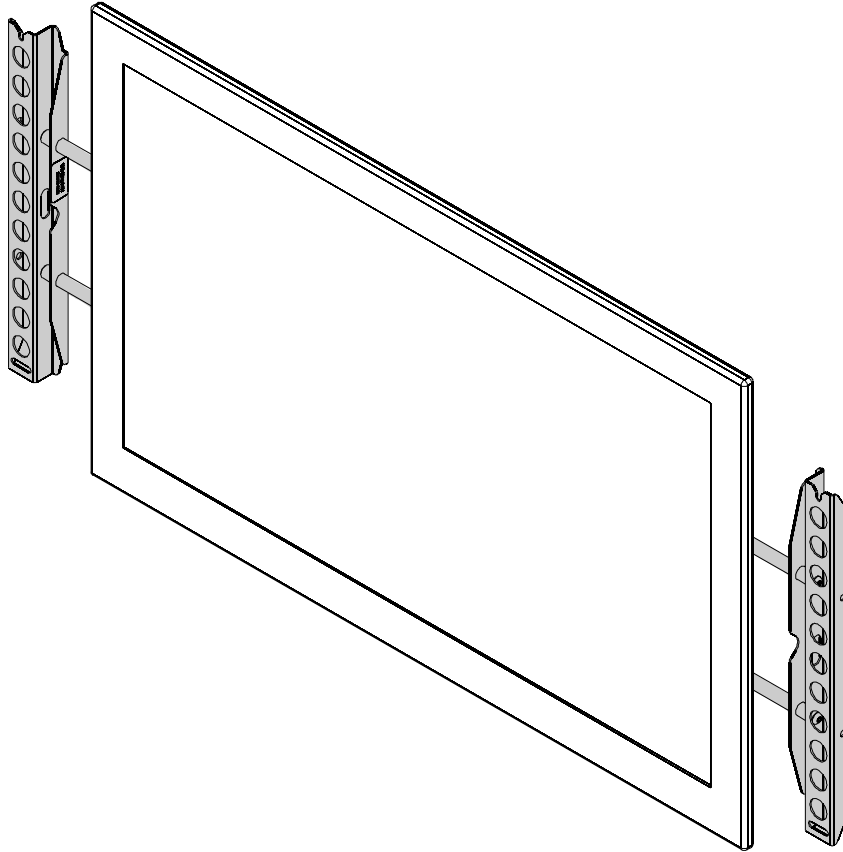

INSTALLATION INSTRUCTIONS



Side Speakers Accessory

DISCLAIMER

Milestone AV Technologies and its affiliated corporations and subsidiaries (collectively "Milestone"), intend to make this manual accurate and complete. However, Milestone makes no claim that the information contained herein covers all details, conditions or variations, nor does it provide for every possible contingency in connection with the installation or use of this product. The information contained in this document is subject to change without notice or obligation of any kind. Milestone makes no representation of warranty, expressed or implied, regarding the information contained herein. Milestone assumes no responsibility for accuracy, completeness or sufficiency of the information contained in this document.

Chief® is a registered trademark of Milestone AV Technologies. All rights reserved.

! IMPORTANT WARNINGS AND CAUTIONS!

! WARNING: A WARNING alerts you to the possibility of serious injury or death if you do not follow the instructions.



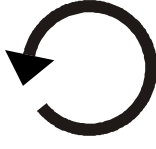



! CAUTION: A CAUTION alerts you to the possibility of damage or destruction of equipment if you do not follow the corresponding instructions.

! WARNING: Failure to read, thoroughly understand, and follow all instructions can result in serious personal injury, damage to equipment, or voiding of factory warranty! It is the installer's responsibility to make sure all components are properly assembled and installed using the instructions provided.

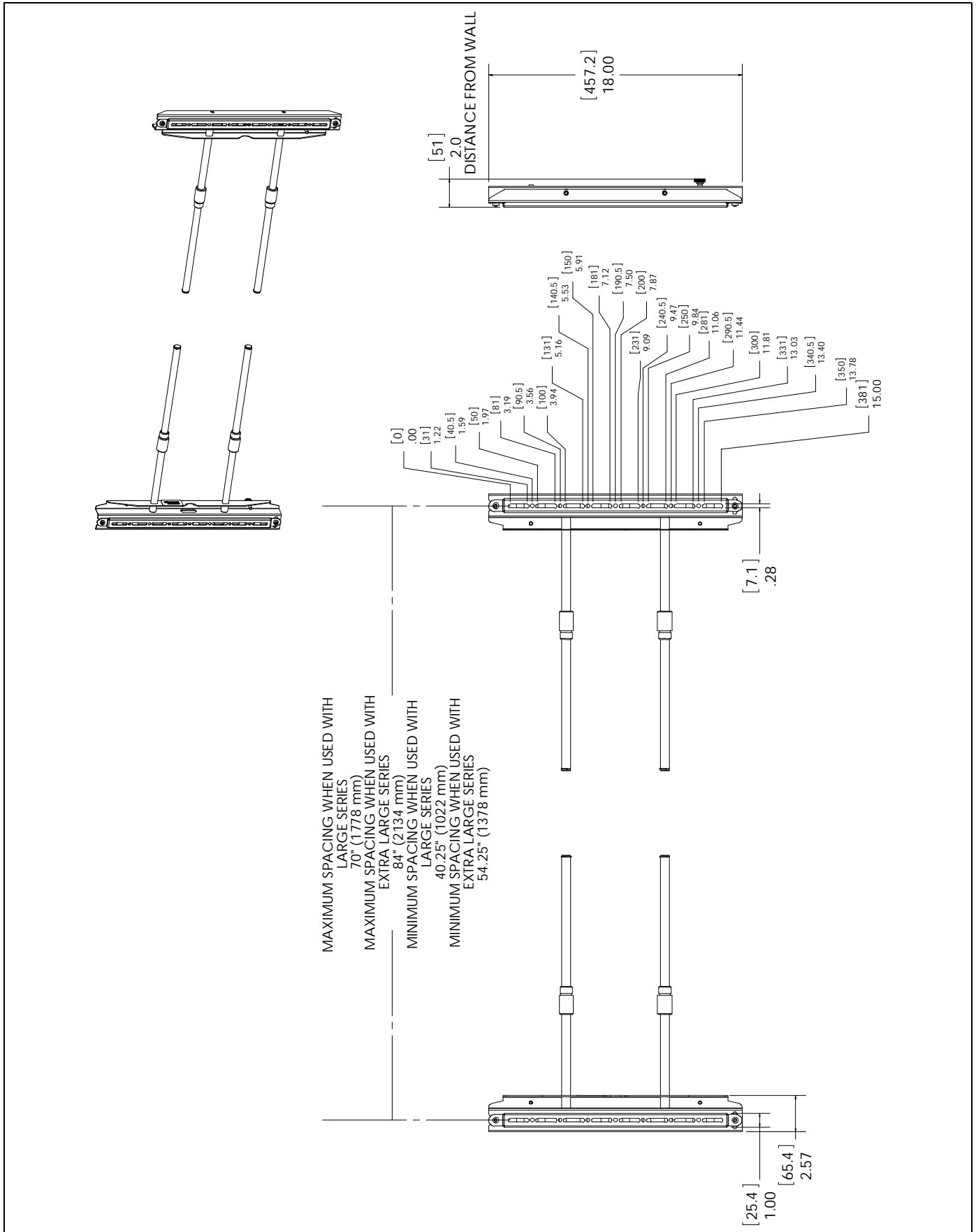
! WARNING: Failure to provide adequate structural strength for this component can result in serious personal injury or damage to equipment! It is the installer's responsibility to make sure the structure to which this component is attached can support five times the combined weight of all equipment. Reinforce the structure as required before installing the component.

! WARNING: Exceeding the weight capacity can result in serious personal injury or damage to equipment! It is the installer's responsibility to make sure the combined weight of all components located on the FLR100 does not exceed 20 lbs (9.1 kg) on each side.

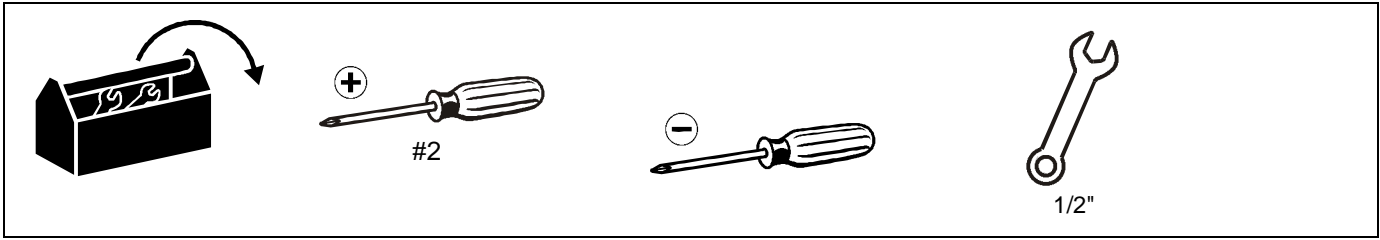
LEGEND

	Tighten Fastener		Pencil Mark
	Apretar elemento de fijación		Marcar con lápiz
	Befestigungsteil festziehen		Stiftmarkierung
	Apertar fixador		Marcar com lápis
	Serrare il fissaggio		Segno a matita
	Bevestiging vastdraaien		Potloodmerkteken
	Serrez les fixations		Marquage au crayon
	Loosen Fastener		Phillips Screwdriver
	Aflojar elemento de fijación		Destornillador Phillips
	Befestigungsteil lösen		Kreuzschlitzschraubendreher
	Desapertar fixador		Chave de fendas Phillips
	Allentare il fissaggio		Cacciavite a stella
	Bevestiging losdraaien		Kruiskopschroevendraaier
	Desserrez les fixations		Tournevis à pointe cruciforme
	Open-Ended Wrench		Adjust
	Llave de boca		Ajustar
	Gabelschlüssel		Einstellen
	Chave de bocas		Ajustar
	Chiave a punte aperte		Regolare
	Steeksleutel		Afstellen
Clé à fourche	Ajuster		

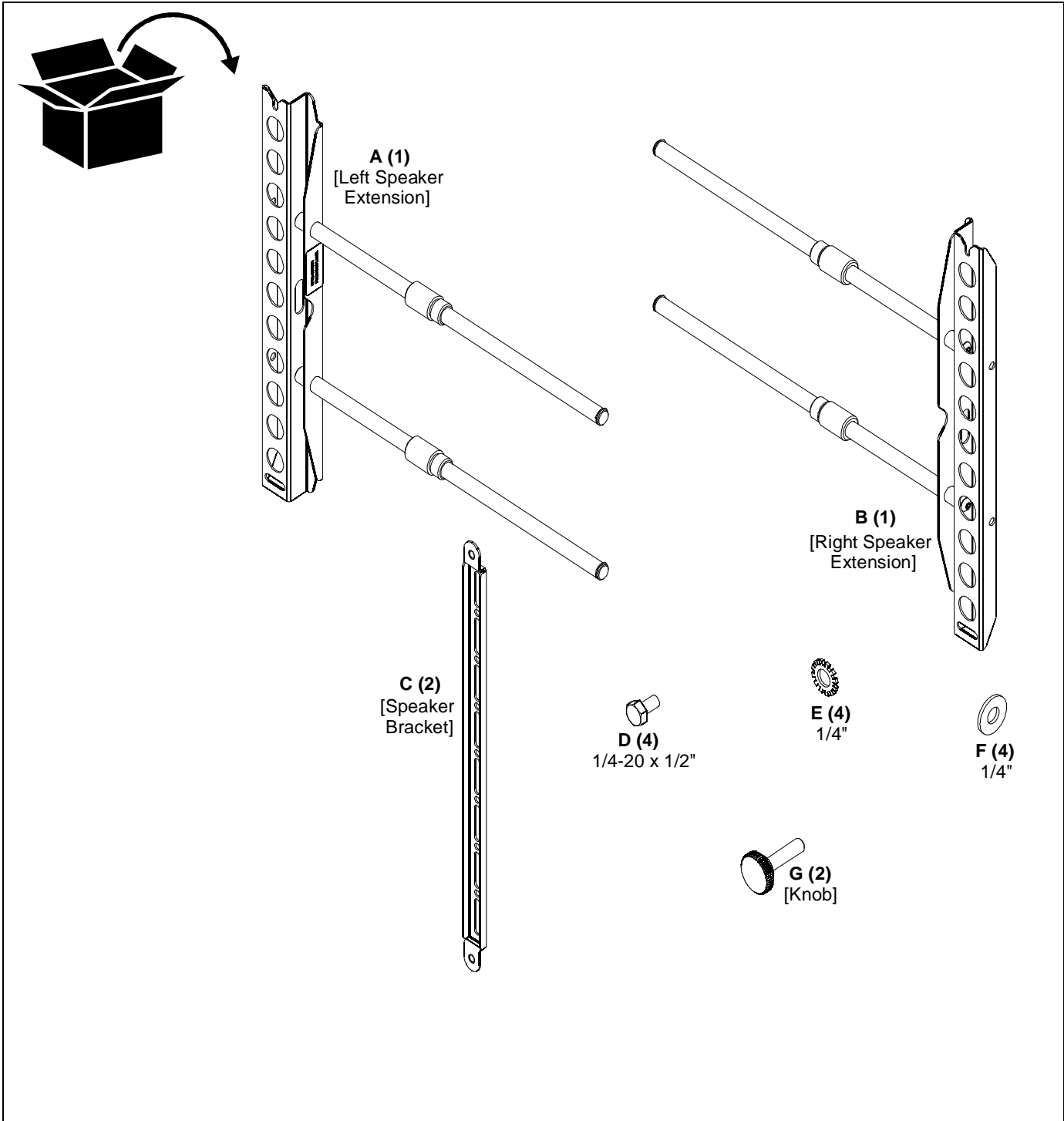
DIMENSIONS



TOOLS REQUIRED FOR INSTALLATION



PARTS



ASSEMBLY AND INSTALLATION

NOTE: Dependent on display size, the FLR100 may be installed while the display is attached to the wall mount. If not, remove display before proceeding.

Attaching to Wall Mount

1. Remove end caps from wall mount rails. (See Figure 1)

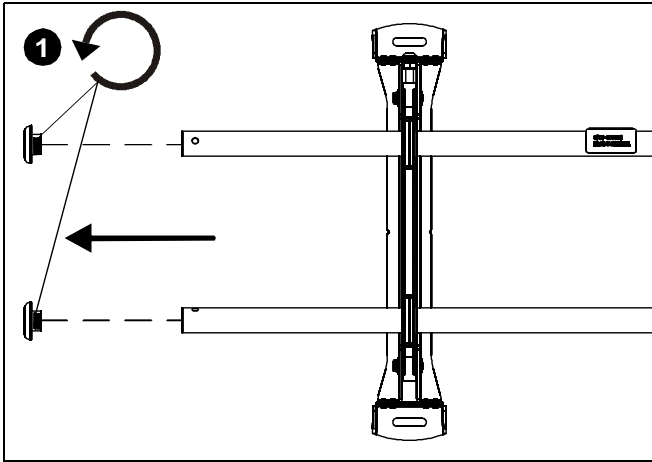


Figure 1

2. Install and tighten the knob (G) on each speaker extension. (See Figure 2)

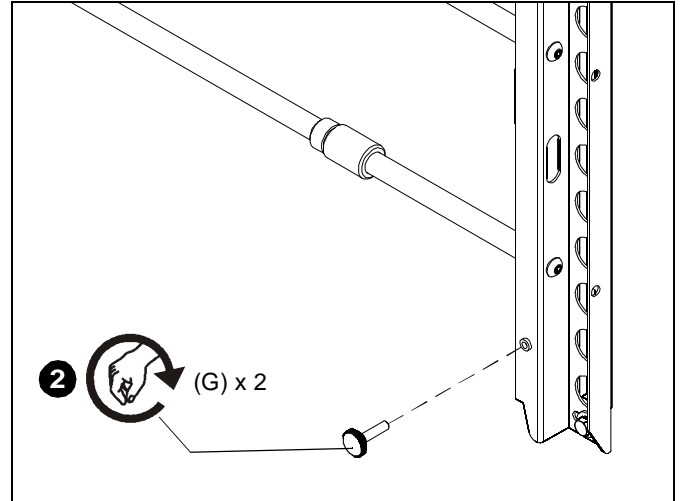


Figure 2

3. Slide FLR100 into wall mount rails. (See Figure 3)
4. Tighten the side speaker bushings into the wall mount rails. (See Figure 3)

NOTE: It may be necessary to lift slightly on the FLR100 in order to tighten the side speaker bushings.

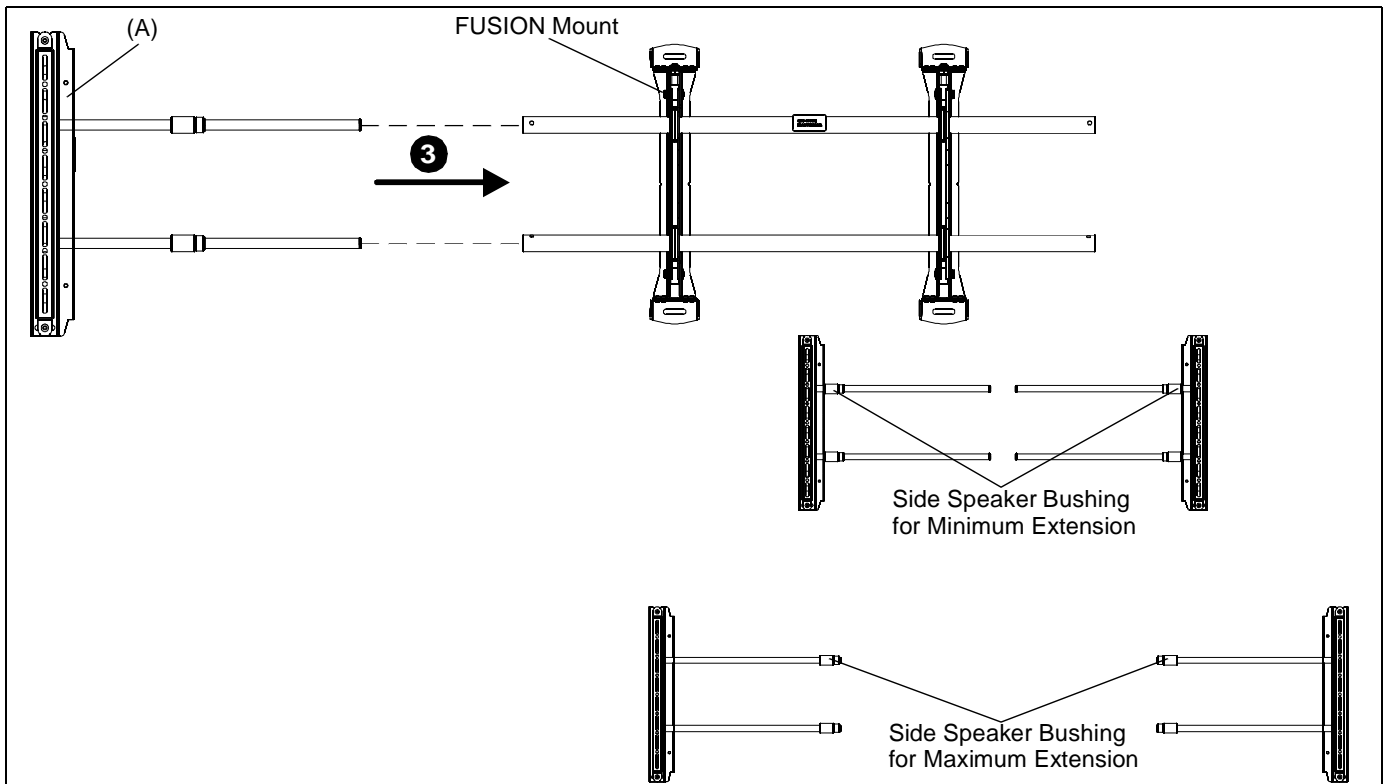


Figure 3

Attaching Speakers and Brackets

1. Attach speakers (not included) to speaker brackets (C) following instructions included with speakers.
2. Loosely attach one 1/4-20 x 1/2" hex head cap screw (D), one 1/4" lock washer (E) and one 1/4" flat washer (F) to top of each of the speaker brackets (C). (See Figure 4)
3. Hang speaker brackets (with attached speakers) on the left and right speaker extensions, and loosely attach bottom of speaker brackets (C) to speaker extensions using one 1/4-20 x 1/2" hex head cap screw (D), one 1/4" lock washer (E) and one 1/4" flat washer (F) on each speaker extension. (See Figure 4)

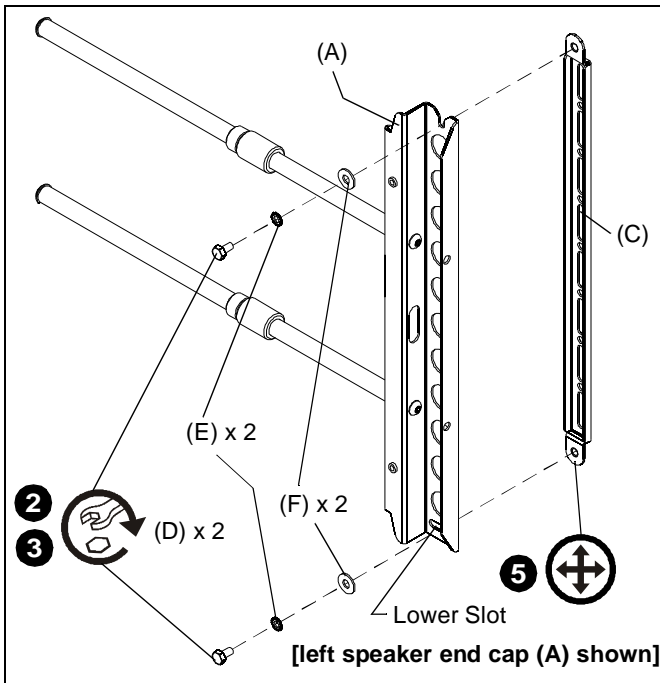


Figure 4

4. Push speakers into desired position by lifting slightly on speakers to enable them to slide more easily.
5. Adjust and level speaker brackets (C) using lower slot. (See Figure 4)
6. Tighten all four fasteners.
7. Turn knob (G) outward on both left and right speaker brackets until the knob contacts the wall. This will allow vertical leveling of the speakers.



Our Mounts. **Your Vision.**

Chief Manufacturing, a products division
of Milestone AV Technologies

8807-000083

©2009 Milestone AV Technologies, a

Duchossois Group Company

www.chiefmfg.com

01/09

USA/International A 8401 Eagle Creek Parkway, Savage, MN 55378
P 800.582.6480 / 952.894.6280
F 877.894.6918 / 952.894.6918

Europe A Fellenoord 130 5611 ZB EINDHOVEN, The Netherlands
P +31 (0)40 2668620
F +31 (0)40 2668615

Asia Pacific A Room 24F, Block D, Lily YinDu International Building
LuoGang, BuJi Town, Shenzhen, CHINA.
深圳市布吉罗岗村百合银都国际大厦D栋24F
P +86-755-8996 9226
F +86-755-8996 9217

